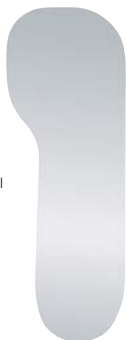


INTRAORAL MIRRORS

Stainless Steel made



D-MPH-01
Occlusal Intraoral
Photo Mirror
Adult Size



D-MPH-02
Buccal Intraoral
Photo Mirror
Adult Size



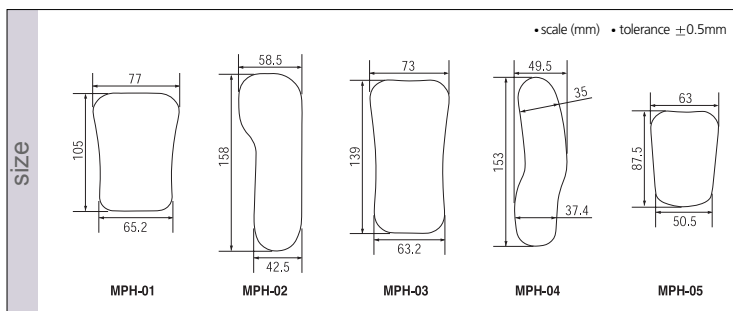
D-MPH-03
Occlusal Intraoral
Photo Mirror
Adult Size



D-MPH-05
Occlusal Intraoral Photo
Mirror
Pedito Size



D-MPH-04
Lingual Intraoral Photo
Mirror
Adult Size



PARA MIRROR

Used to check the parallel line of abutment.



D-MPR-01 for anterior



D-MPR-02 for posterior

PLASTIC MOUTH MIRRORS

Autoclavable plastic mirror



D-MDA-01

OVERSIZE MIRROR

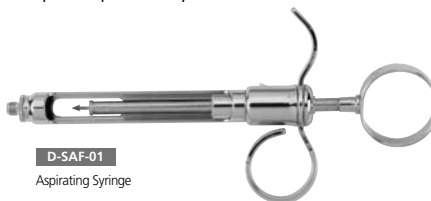
Hinge design for angle adjustment. (140° swivel)
Multiple use (intra-oral photography, restorative procedure, etc)



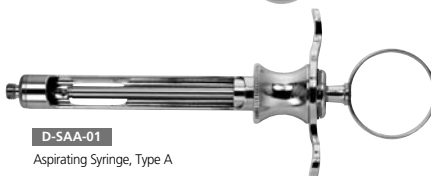
D-MSS-01

ANESTHESIA SYRINGE

Very simple to use, and is made of high quality materials. Our unique hook design guarantees perfect aspiration. They are available in two sizes, 1.8cc & 2.2



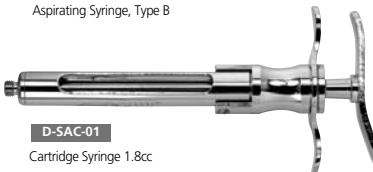
D-SAF-01
Aspirating Syringe



D-SAA-01
Aspirating Syringe, Type A



D-SAB-01
Aspirating Syringe, Type B



D-SAC-01
Cartridge Syringe 1.8cc

Code	Description
D-SAA-01	A.Syringe, Type A, 1.8cc Inch thread
D-SAA-M1	A.Syringe, Type A, 1.8cc Metric thread
D-SAA-02	A.Syringe, Type A, 2.2cc Inch thread
D-SAA-M2	A.Syringe, Type A, 2.2cc Metric thread
D-SAB-01	A.Syringe, Type B, 1.8cc Inch thread
D-SAB-M1	A.Syringe, Type B, 1.8cc Metric thread
D-SAB-02	A.Syringe, Type B, 2.2cc Inch thread
D-SAB-M2	A.Syringe, Type B, 2.2cc Metric thread
D-SAF-01	A.Syringe, 1.8cc Inch Thread
D-SAF-M1	A.Syringe, 1.8cc Metric thread